

# Technical Data for MS/MBS-Series Mass Flow Meters

0.5 sccm full scale through 12,000 SLPM full scale

Standard specifications. Consult Alicat for available options.



+1 (888) 290-6060  
alicat.com/ms

SENSOR PERFORMANCE	
Mass flow accuracy <sup>1</sup>	Standard accuracy: $\pm 0.8\%$ of reading and $\pm 0.2\%$ of full scale High accuracy ( $\geq 5$ sccm and $\leq 500$ SLPM): $\pm 0.4\%$ of reading and $\pm 0.2\%$ of full scale
Flow repeatability (2 $\sigma$ )	$\pm 0.2\%$ of full scale
Pressure accuracy <sup>1</sup>	$\pm 0.5\%$ of full scale
Flow measurement range	1 – 100% of full scale (100:1 turndown ratio)
Operating pressure range	11.5 – 160 PSIA
Pressure sensitivity	Mass flow zero shift and span shift: $\pm (0.08\%$ of reading + $0.02\%$ of full scale) per atmosphere from calibration conditions
Temperature sensitivity	Mass flow zero shift and span shift: $\pm 0.02\%$ of full scale per °C from 25°C
Temperature accuracy	$\pm 0.75^\circ\text{C}$
Operating temperature range	-10 – 60°C (ambient and gas)
Totalizer volume uncertainty	$\pm 0.1\%$ of reading in additional uncertainty
Sensor response time	< 1 ms
Typical indication response time	Flow rate dependent and user-adjustable. As fast as (T63): 0.5 sccm – 5 sccm: 100–4000 ms 10 sccm – 20 SLPM: <10 ms 50 SLPM– 12,000 SLPM: 65–255 ms
Typical warm-up time	< 1 s

<sup>1</sup> Stated accuracy is after tare under equilibrium conditions.  
Extreme gas behavior (especially near state boundaries) can introduce additional flow uncertainties.

MECHANICAL	
Wetted materials	316L stainless steel, FFKM standard, FKM or EPDM as needed for some gases
Maximum pressure	Damage possible above 200 PSIA common mode pressure. Damage possible by rapid pressure change above 75 PSI differential pressure.
Relative humidity range	0 – 95%, non-condensing
Ingress protection	IP40 (consult Alicat for weatherproofing options)
Mounting orientation sensitivity	None
Mounting holes	4× 8-32 UNC 0.330" [8.38 mm]

POWER AND COMMUNICATIONS	
Digital output options <sup>2</sup>	RS-232 Serial and Modbus RTU (default), RS-485 Serial and Modbus RTU, Modbus TCP/IP, DeviceNet, EtherCAT, EtherNet/IP, PROFINET, PROFIBUS, IO-Link
Digital data update rate	40 Hz at 19200 baud
Analog output options <sup>2,3</sup>	4 – 20 mA, 0 – 5 Vdc, 1 – 5 Vdc, 0 – 10 Vdc
Analog data update rate	1 kHz
Analog signal accuracy	$\pm 0.1\%$ of full scale additional uncertainty
Interactive display	Monochrome LCD or color TFT display with integrated touchpad; simultaneously displays mass flow, volumetric flow, temperature, and pressure
Display update rate	10 Hz
Electrical connection options	6-pin locking, 8-pin mini-DIN, 8-pin M12, 9-pin DB-9, 15-pin DB-15 (contact Alicat for custom pinouts)
Power requirements <sup>2,3</sup>	0 – 5 Vdc output: 9 – 24 Vdc, 40 mA 0 – 10 Vdc output: 12 – 28 Vdc, 40 mA 4 – 20 mA output: 12 – 28 Vdc, 80 mA

<sup>2</sup> Consult the individual operating bulletins for specific industrial protocol power requirements and data transmission specifications

<sup>3</sup> Analog outputs unavailable for MBS-Series. See Portable Devices table for MB-Series specifications and options.

# Technical Data for MS/MBS-Series Mass Flow Meters

0.5 sccm full scale through 12,000 SLPM full scale

Standard specifications. Consult Alicat for available options.



+1 (888) 290-6060  
alicat.com/ms

FEATURES	
STP reference conditions	25°C and 1 atm (default), user-configurable
NTP reference conditions	0°C and 1 atm (default), user-configurable
Gas Select™	130 user-selectable gases stored internally. Each gas optimized to match NIST's REFPROP 10 gas property calculations across the operating temperature and pressure ranges for highest accuracy.
COMPOSER™	20 user definable gas mixes. Each mix may have up to 5 gases with 0.01% composition resolution.

RANGE-SPECIFIC TECHNICAL DATA		
Full scale flow	Pressure drop at full scale when venting air to atmosphere	Default process connections <sup>4</sup>
0.5 – 50 SCCM	1.0 PSID	M5 female thread (10-32 compatible) <sup>5</sup>
100 SCCM – 20 SLPM	1.0 PSID	⅛" NPT female
50 SLPM	2.0 PSID	¼" NPT female
100 SLPM	2.5 PSID	¼" NPT female
250 SLPM	2.1 PSID	½" NPT female
500 SLPM	4.0 PSID	¾" NPT female
1000 SLPM	6.0 PSID	¾" NPT female
2000 SLPM	5.0 PSID	¾" NPT female
3000 SLPM	7.1 PSID	1¼" NPT female
5000 SLPM	3.4 PSID	1½" NPT female
10,000 SLPM	12.5 PSID	2" NPT female
12,000 SLPM	15.3 PSID	2" NPT female

<sup>4</sup> Consult Alicat for available process connection options, such as: compression, face seal, push-to-connect, BSPP, SAE, or Swagelok®-compatible (including tube, VCO®, and VCR®).

<sup>5</sup> Shipped with 316SS M-5 (10-32) male FFKM O-ring face seal to ⅛" NPT female fittings.

PORTABLE DEVICES (MBS-SERIES) <sup>6</sup>	
Power requirements	5 Vdc, 1 A recommended via an outlet adapter to USB
Battery life	Monochrome screen: 18 hours, user-configurable, contrast dependent Color TFT screen: 8 hours, user-configurable, contrast dependent
Electrical connection and communication	Serial over Micro-USB Type B Optional: Bluetooth® Low Energy (requires the Alicat Connect app and a compatible Android or iOS mobile device)
Charging temperature	0 – 45°C
Dimensions	Portable devices (MBS-Series) add 1.646" [41.81 mm] to height, and 0.2 lb [90.72 g] to weight

<sup>6</sup> More information about our MBS-Series portable anti-corrosive mass flow meters at [alicat.com/mbs](http://alicat.com/mbs).

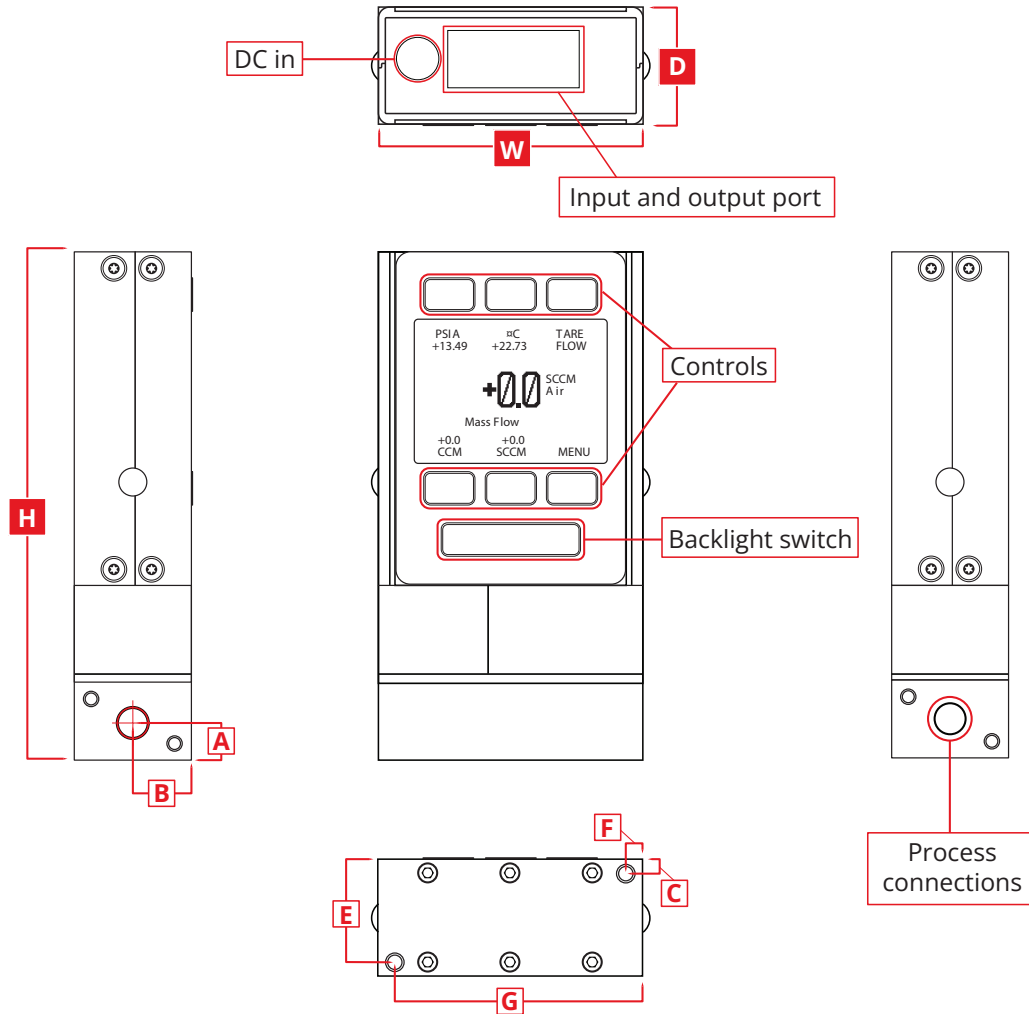
# Technical Data for MS/MBS-Series Mass Flow Meters

0.5 sccm full scale through 12,000 SLPM full scale

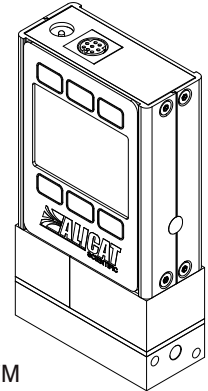
Standard specifications. Consult Alicat for available options.



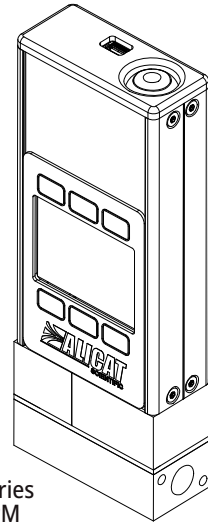
+1 (888) 290-6060  
alicat.com/ms



## Representative Examples



10 SCCM



MBS-Series  
10 SLPM

DIMENSIONS <sup>7</sup>										WEIGHT
Full scale flow	Width	Depth	Height	A	B	C	E	F	G	
0.5 – 50 sccm	2.38"	1.05"	4.40"	0.34"	0.53"	0.13"	0.93"	0.15"	2.23"	≈ 0.8 lb
	60.3 mm	26.7 mm	111.7 mm	8.5 mm	13.3 mm	3.2 mm	23.5 mm	3.8 mm	56.5 mm	≈ 0.4 kg
100 sccm – 20 SLPM	2.38"	1.05"	4.57"	0.35"	0.53"	0.13"	0.93"	0.15"	2.23"	≈ 1.0 lb
	60.3 mm	26.7 mm	116.0 mm	8.9 mm	13.3 mm	3.2 mm	23.5 mm	3.8 mm	56.5 mm	≈ 0.5 kg

<sup>7</sup> Portable devices (MBS-Series) add 1.646" [41.81 mm] to height, and 0.2 lb. [90.72 g] to weight.

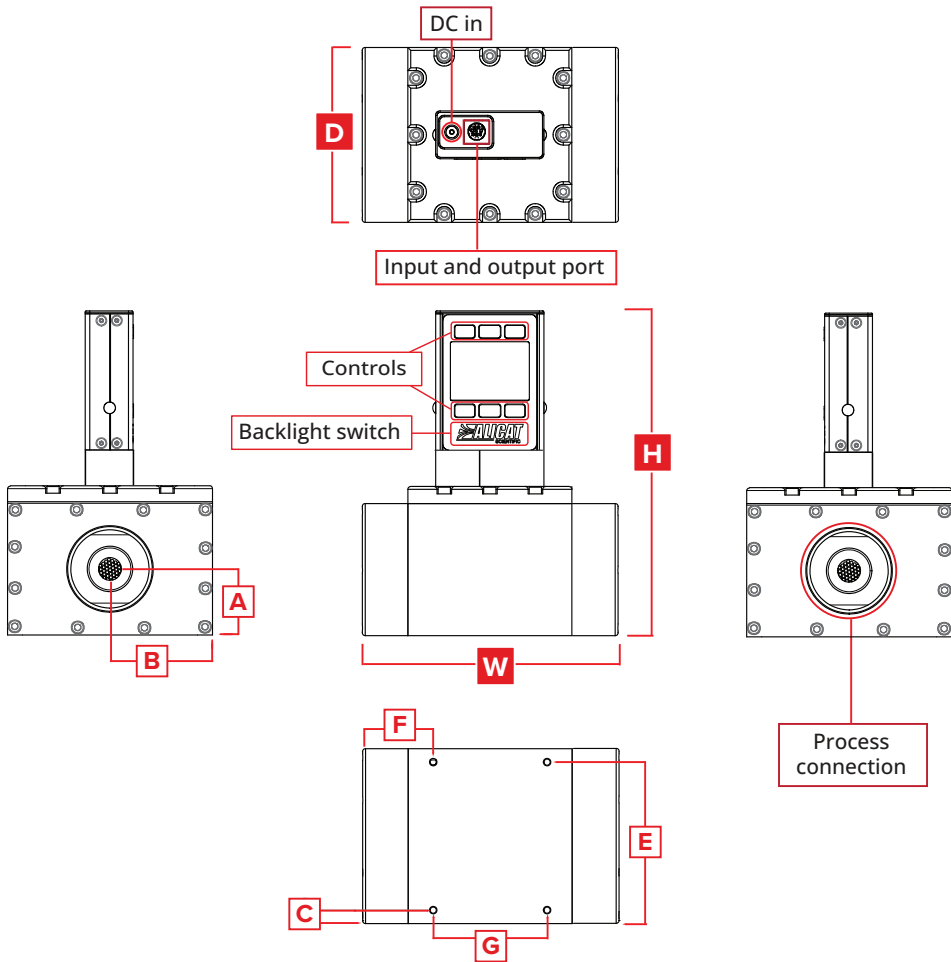
# Technical Data for MS/MBS-Series Mass Flow Meters

0.5 sccm full scale through 12,000 SLPM full scale

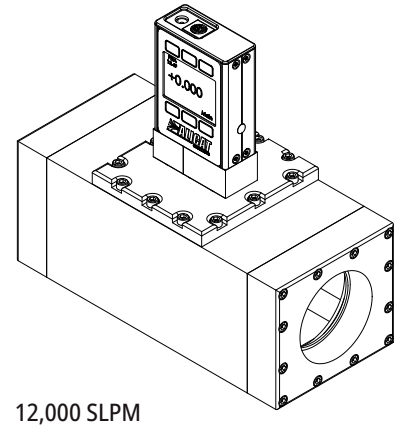
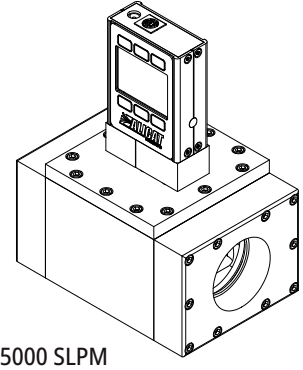
Standard specifications. Consult Alicat for available options.



+1 (888) 290-6060  
alicat.com/ms



## Representative Example



DIMENSIONS <sup>7</sup>										WEIGHT
Full scale flow	Width	Depth	Height	A	B	C	E	F	G	
50 – 100 SLPM	4.00"	1.60"	5.07"	0.50"	0.80"	0.18"	1.43"	0.75"	3.25"	≈ 2.8 lb
	101.6 mm	40.6 mm	128.7 mm	12.7 mm	20.3 mm	4.4 mm	36.2 mm	19.1 mm	82.6 mm	≈ 1.3 kg
250 SLPM	4.00"	1.60"	5.67"	0.80"	0.80"	0.18"	1.43"	0.75"	3.25"	≈ 3.5 lb
	101.6 mm	40.6 mm	143.9 mm	20.3 mm	20.3 mm	4.4 mm	36.2 mm	19.1 mm	82.6 mm	≈ 1.6 kg
500 – 1000 SLPM	4.00"	1.60"	5.67"	0.80"	0.80"	0.18"	1.43"	0.75"	3.25"	≈ 3.5 lb
	101.6 mm	40.6 mm	143.9 mm	20.3 mm	20.3 mm	4.4 mm	36.2 mm	19.1 mm	82.6 mm	≈ 1.6 kg
2000 – 3000 SLPM	5.20"	2.90"	5.99"	1.12"	1.45"	0.20"	2.70"	1.35"	3.85"	≈ 4.5 lb
	132.1 mm	73.7 mm	152.1 mm	28.4 mm	36.8 mm	5.1 mm	68.6 mm	34.3 mm	97.8 mm	≈ 2.0 kg
5000 SLPM	5.60"	3.84"	7.08"	1.45"	1.92"	0.30"	3.55"	1.55"	2.50"	≈ 14.0 lb
	142.2 mm	97.5 mm	179.9 mm	36.8 mm	48.8 mm	7.5 mm	90.0 mm	39.4 mm	63.5 mm	≈ 6.4 kg
10,000 – 12,000 SLPM	8.60"	3.84"	7.64"	1.70"	1.92"	0.30"	3.55"	3.05"	2.50"	≈ 20.0 lb
	218.4 mm	97.5 mm	194.1 mm	43.2 mm	48.8 mm	7.5 mm	90.0 mm	77.5 mm	63.5 mm	≈ 9.1 kg

<sup>7</sup> Portable devices (MBS-Series) add 1.646" [41.81 mm] to height, and 0.2 lb. [90.72 g] to weight.