

# Technical Data for EP-Series OEM Pressure Gauges

## 1–500 PSI models for absolute and gauge pressure



Standard specifications shown. Consult Alicat for available options.

+1 (888) 290-6060  
alicat.com/ep

SENSOR PERFORMANCE	
Available Pressure Ranges	Absolute: 15–500 PSIA Gauge: 1–500 PSIG
Accuracy at calibration conditions <sup>1</sup>	±0.125% of full scale
Repeatability (2σ) <sup>1</sup>	±0.08% of full scale
Temperature Sensitivity	Zero shift: 0.02% full scale per °C from tare temperature <sup>2</sup> Span shift: 0.02% full scale per °C from calibration temperature
Operating Temperature Range	–10–60°C
Sensor Response Time	<1 ms
Typical Indication Response Time	<10 ms
Typical Warm-Up Time	<1 s

<sup>1</sup> Stated accuracy is after tare under equilibrium conditions; includes repeatability and linearity.

<sup>2</sup> Tare is not available on absolute pressure devices.

MECHANICAL	
Sensor Burst Pressure	≤100 PSI models: 3× full scale range >100 PSI models: 1.5× full scale range
Gas Compatibility	Compatible with dry, non-corrosive gases
Mounting Attitude Sensitivity	None
Mounting Options	2× through holes accepting #4 cap head screws and 2× 4-40 UNC tapped holes with a depth of 0.200" [5.08 mm]
Relative Humidity Range	0–95%, non-condensing
Wetted Materials	≤100 PSI models: hard-anodized aluminum, FKM, alumina ceramic, glass, gold, heat-cured epoxy, heat-cured silicone rubber, polyamide, silicon >100 PSI models: 316L stainless steel, FKM (FFKM standard on EPS models)
Process Connections	1/8" NPT female
Ingress Protection	None (default), IP66/67 (optional)

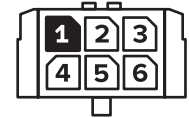
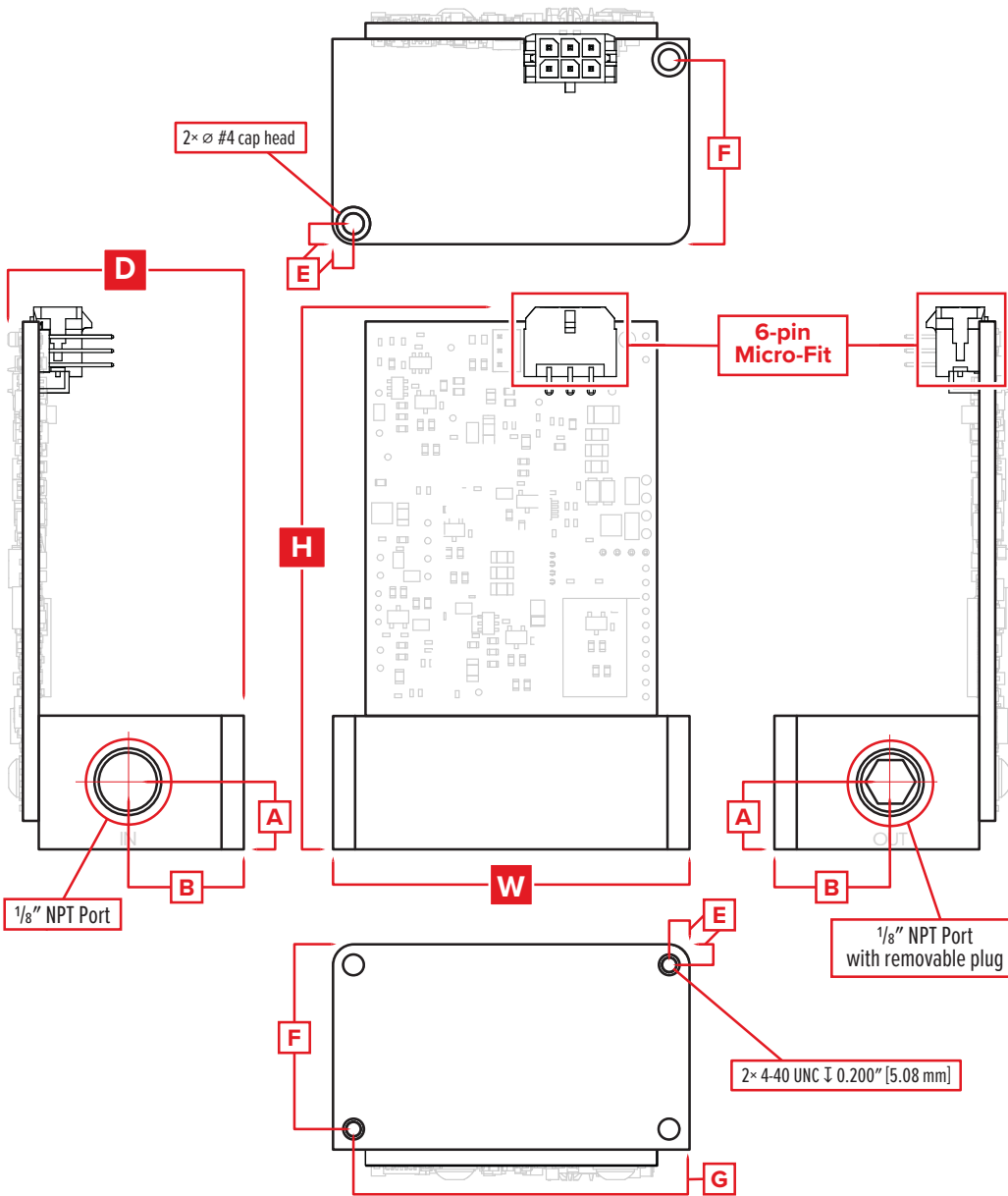
COMMUNICATIONS AND ELECTRICAL	
Analog Output Options	0–5 Vdc, 1–5 Vdc, 0–10 Vdc, 4–20 mA
Digital I/O Options	RS-232 Serial and Modbus RTU (default) RS-485 Serial and Modbus RTU (optional)
Electrical Connection	Standard models: 6-pin Molex® Micro-Fit® IP66/67 models: 6-pin M8 connector
Power Requirements	9–24 Vdc, 35 mA
Analog Data Update Rate	1 kHz
Analog Signal Accuracy	±0.1% of full scale additional uncertainty
Digital Data Update Rate	40 Hz at 19200 baud

# Technical Data for EP-Series OEM Pressure Gauges

## 1–500 PSI models for absolute and gauge pressure

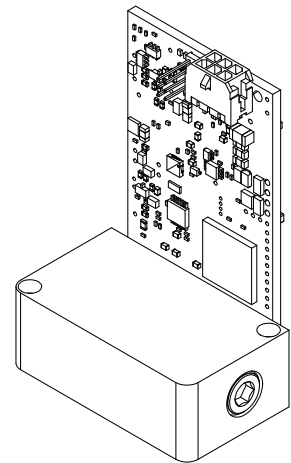
Standard specifications shown. Consult Alicat for available options.

### EP-Series



#### 6-Pin Micro-Fit Pinout

- 1 Power in
- 2 Analog output
- 3 Ground
- 4 RS-232TX or RS-485(+)
- 5 RS-232RX or RS-485(-)
- 6 Not Connected



DIMENSIONS <sup>3</sup>									WEIGHT <sup>4</sup>
Model	Height	Width	Depth	A	B	E	F	G	
EP	3.041 in	2.000 in	1.322 in	0.375 in	0.650 in	0.115 in	1.035 in	1.885 in	5.0 oz
	77.24 mm	50.80 mm	33.58 mm	9.53 mm	16.51 mm	2.92 mm	26.29 mm	47.88 mm	141.7 g

<sup>3</sup> Port type, port locations, and other body dimensions may be customized. Contact Alicat for more information.

<sup>4</sup> Maximum product weights shown. Total device weight may vary depending on actual model configuration. Contact Alicat for more information.

# Technical Data for EP-Series OEM Pressure Gauges

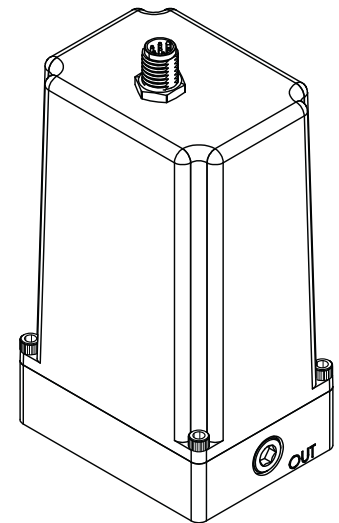
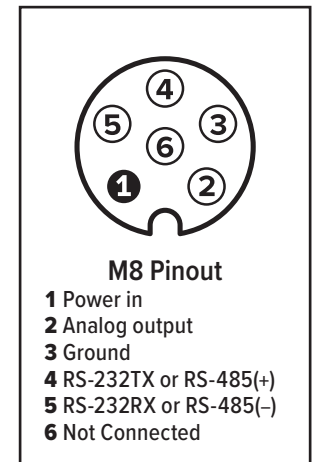
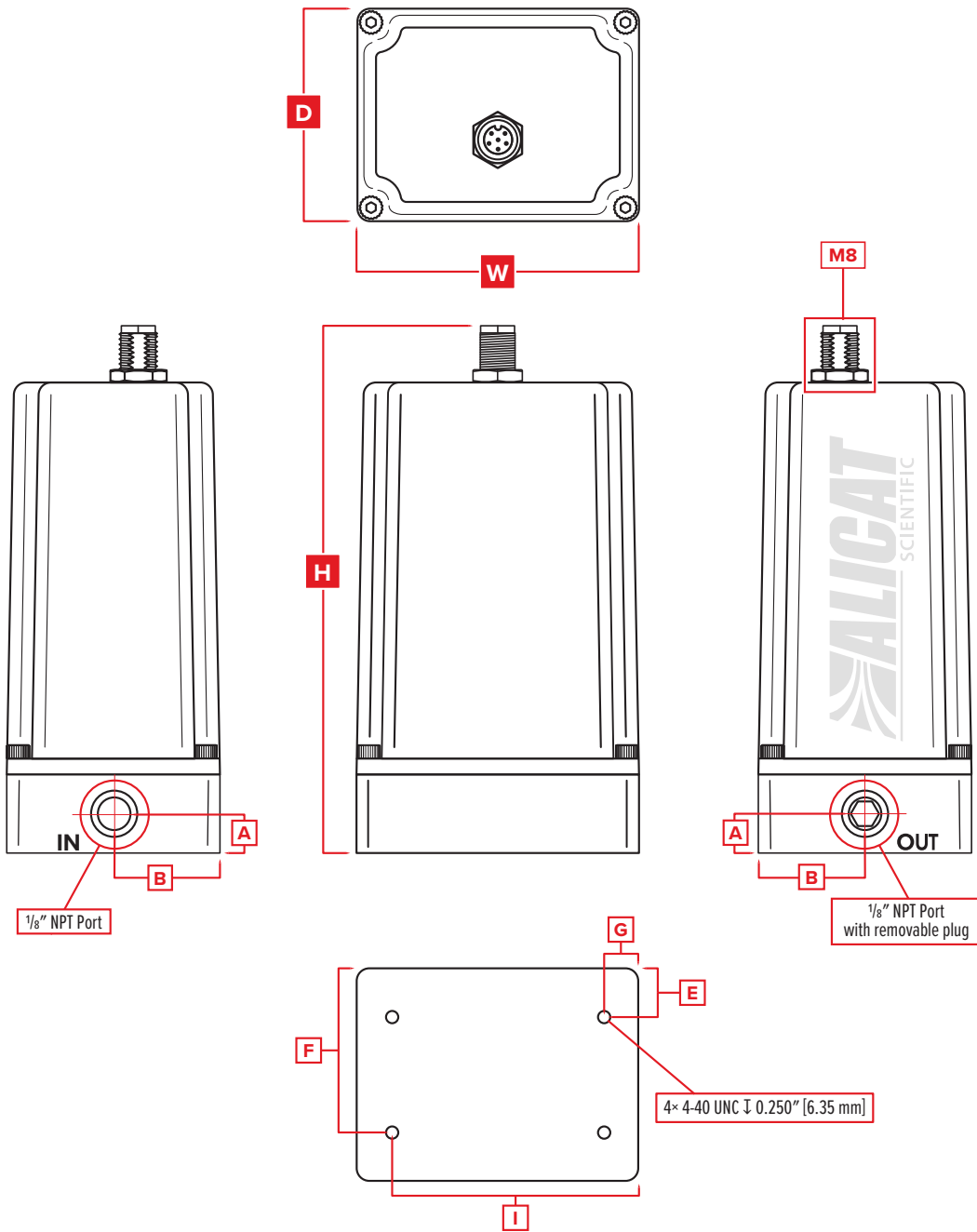
## 1–500 PSI models for absolute and gauge pressure

Standard specifications shown. Consult Alicat for available options.



+1 (888) 290-6060  
alicat.com/ep

**EP IP66/67**



DIMENSIONS <sup>3</sup>									WEIGHT <sup>4</sup>
Model	Height	Width	Depth	A	B	E	F	G	
EP	3.041 in	2.000 in	1.322 in	0.375 in	0.650 in	0.115 in	1.035 in	1.885 in	5.0 oz
	77.24 mm	50.80 mm	33.58 mm	9.53 mm	16.51 mm	2.92 mm	26.29 mm	47.88 mm	141.7 g

<sup>3</sup> Port type, port locations, and other body dimensions may be customized. Contact Alicat for more information.

<sup>4</sup> Maximum product weights shown. Total device weight may vary depending on actual model configuration. Contact Alicat for more information.