

# Electronic Pressure Instruments

MODERN PRESSURE INSTRUMENTS FOR OEM APPLICATIONS



*100 ms control  
response*

*Accurate to 0.125%  
of full scale*

*Wide range of  
pressures*

*Adjustable  
valve tuning*

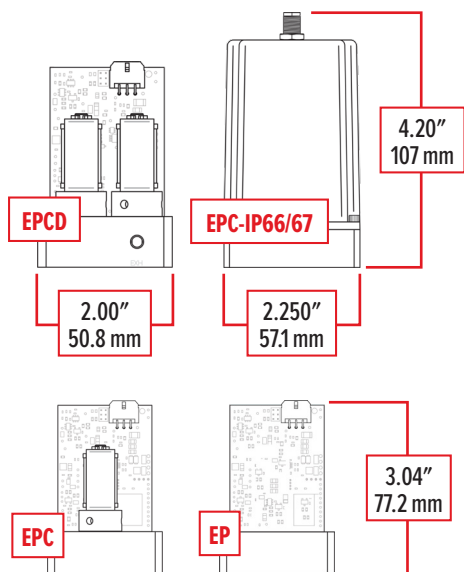
*Optional  
IP66/67 rating*



*Compact. Precise. Fast.*

# EPC & EPCD Electronic Pressure Instruments

MODERN PRESSURE INSTRUMENTS FOR OEM APPLICATIONS



## Quick Specifications:

### Gauge Ranges:

PSI: 1, 5, 15, 30, 100, 300, 500, 1000, 1500, 3000  
inH<sub>2</sub>O: 10, 20

*Custom ranges also available*

### Absolute Ranges:

PSIA: 15, 30, 100, 300, 500, 1000, 1500, 3000

*Custom ranges also available*

### Control Ranges:

Up to 500 PSIA or PSIG

### Operating Range:

0.01–100% full-scale  
10,000:1 Turndown

### Accuracy:

±0.125% full-scale (NIST-traceable)

### Repeatability:

0.05% of full scale

### Signals:

RS-232/485, Modbus RTU digital and 0–5 Vdc analog (0–10 Vdc customizable), 4–20 mA

### Communications:

Modbus RTU, ASCII Serial

### Process Connections:

Available in NPT

## Fast in Every Way

- **100 ms control response**  
Stabilizes upstream fluctuations
- **Adjustable valve control tuning**  
For best speed and stability
- **Instant warm-up**  
Measures at full accuracy in 70 ms
- **Ready to ship**  
Versatile stock reduces lead time
- **Optional IP66/67 rating**



## Selected Applications

### Fluidic Dispensing for Flow Cytometry

EPCDs have inlet and exhaust valves for efficient control of head space pressures to propel the sheath fluid and the cellular sample through the flow cytometer's laser. High accuracy and wide usable ranges make possible the dispensing of precise amounts of fluid.

### Electronic Pressure Control for Split Flow Gas Chromatographs

Alicat's single proportional valve EPC maintains stable carrier gas flow rates at the sample injector within a gas chromatograph. A second backpressure EPC on the split flow vent ensures sufficient column head pressure. Small size, fast response and dual analog/digital communications make the EPC easy to build into OEM products.

